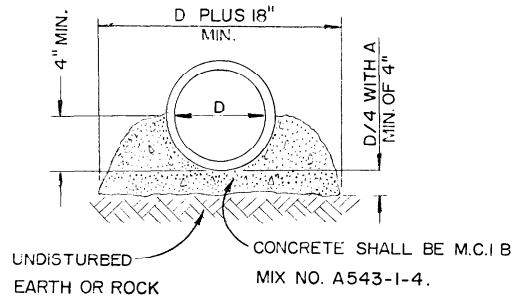


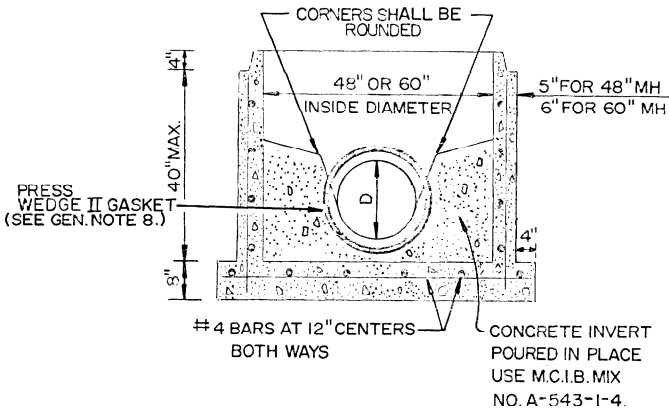
PLAN



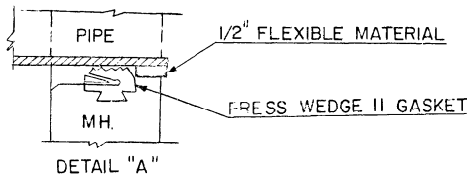
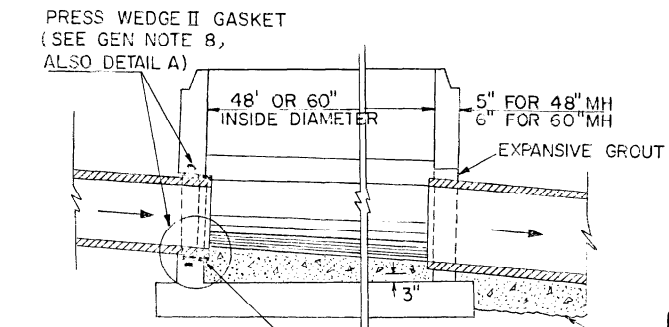
PIPE SUPPORT DETAIL
(NON GASKETED ONLY)

GENERAL NOTES

1. CLEARANCE TOLERANCE OF PIPE OPENINGS. (NON GASKETED ONLY)
THE MAXIMUM ALLOWABLE PIPE OPENING ON A HORIZONTAL AXIS.
SHALL BE THE OUTSIDE DIAMETER OF THE PIPE PLUS 12."
THE MAXIMUM ALLOWABLE PIPE OPENING ON A VERTICAL AXIS SHALL
BE THE OUTSIDE DIAMETER PLUS 8".
THE MINIMUM CLEARANCE BETWEEN THE OUTSIDE SURFACE OF AN IN-
STALLED PIPE AND THE CONCRETE OF THE MANHOLE SHALL BE 2".
THE MAXIMUM OPENINGS ALLOWABLE FOR THE DROP MANHOLE ENTRY
IN THE BARREL SHALL BE THE OUTSIDE DIAMETER OF THE PIPE PLUS 12".
2. INSTALLATION OF PIPE OPENINGS.
ALL REQUIRED PIPE OPENINGS SHALL BE PRECAST IN MANHOLE UNITS.
FIELD ALTERATIONS OF OPENINGS WILL BE PERMITTED PROVIDED WALLS
ARE SCORED WITH A MASONRY SAW TO A DEPTH SUFFICIENT TO
SEVER REINFORCING STEEL. A CHIPPING HAMMER MAY THEN BE USED
TO REMOVE THE CONCRETE. MINIMUM DISTANCE BETWEEN ANY
TWO ADJACENT PIPES SHALL BE 4".
3. THE PRECAST DEVELOPED BASE MANHOLE SHALL CONFORM TO
A S.T.M. C-478 SPECIFICATIONS.
4. NO PIPE SUPPORT (P.C.C.) REQUIRED IF MANHOLE IS GASKETED.
5. THERE SHALL BE AT LEAST 1/2" OF FLEXIBLE MATERIAL BETWEEN
PIPE AND THE INVERT ON GASKETED INSTALLATION.
6. PIPE OPENINGS SHALL BE WITHIN THE FOLLOWING TOLERANCES OF
PLAN LOCATIONS: 1" VERTICAL - 3" HORIZONTAL.
7. IF CRUSHED ROCK IS USED UNDER MANHOLE, IT SHALL BE LEVELED
OVER ENTIRE EXCAVATED SECTION.
8. PRESS WEDGE II PIPE TO MANHOLE GASKET, OR APPROVED EQUAL SHALL
BE CAST INTO DEVELOPED BASE. (GASKETED ONLY)
9. THE MAXIMUM PIPE SIZE ACCEPTABLE FOR A 4 FOOT DIAMETER MH
IS 24" AND FOR A 5 FOOT DIAMETER MH IS 30".



SECTION A-A



ADOPTED	
_____ DIRECTOR OF PUBLIC WORKS	_____ DATE
ENTRY NO. 810376	

KANSAS CITY, MO. DEPARTMENT OF PUBLIC WORKS ENGINEERING DIVISION	APPROVED _____ CITY ENGINEER	REVISED _____ CITY ENGINEER	DEVELOPED BASE MANHOLE PRECAST CONCRETE 4'0" OR 5'0" DIA.	STANDARD PLAN MH-DB