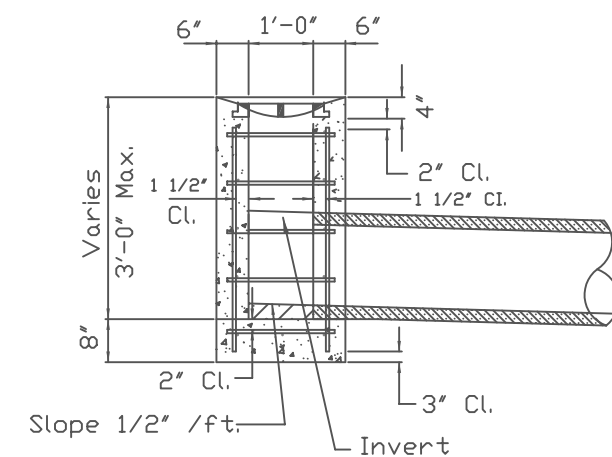
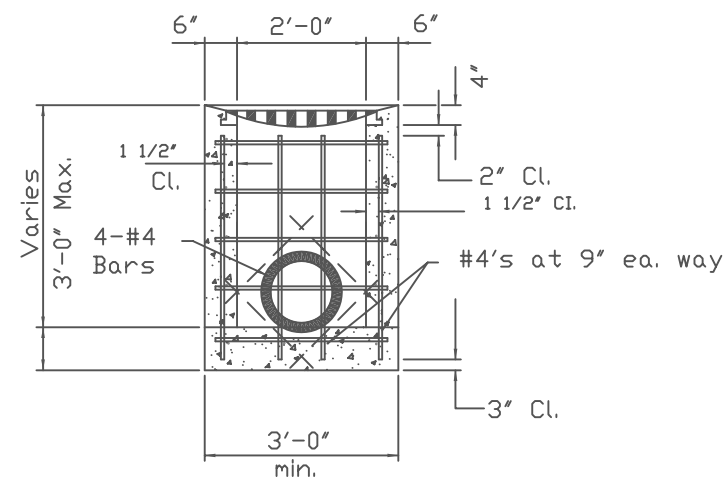
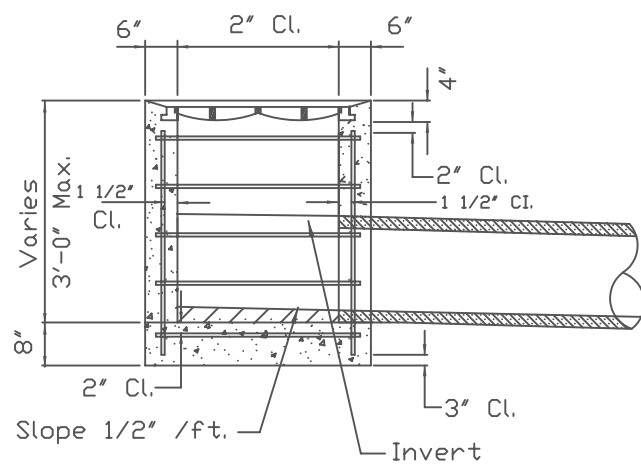
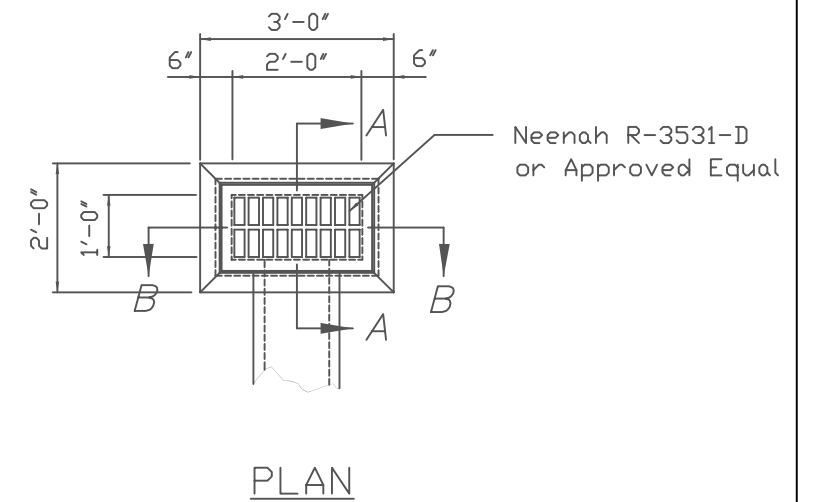


**NOTE:**

1. Location point at center of inlet.
2. A separate top slab may be utilized.
3. All work shall conform to APWA Section 2600.
4. Pour base and invert monolithic for precast inlets.



DOUBLE GRATE INLET DETAILS

SINGLE GRATE INLET DETAILS

KANSAS CITY, MISSOURI PUBLIC WORKS DEPARTMENT	
GRATE INLET DETAILS	STANDARD DRAWING NUMBER GI-1(M) REVISED: JULY 1, 2007