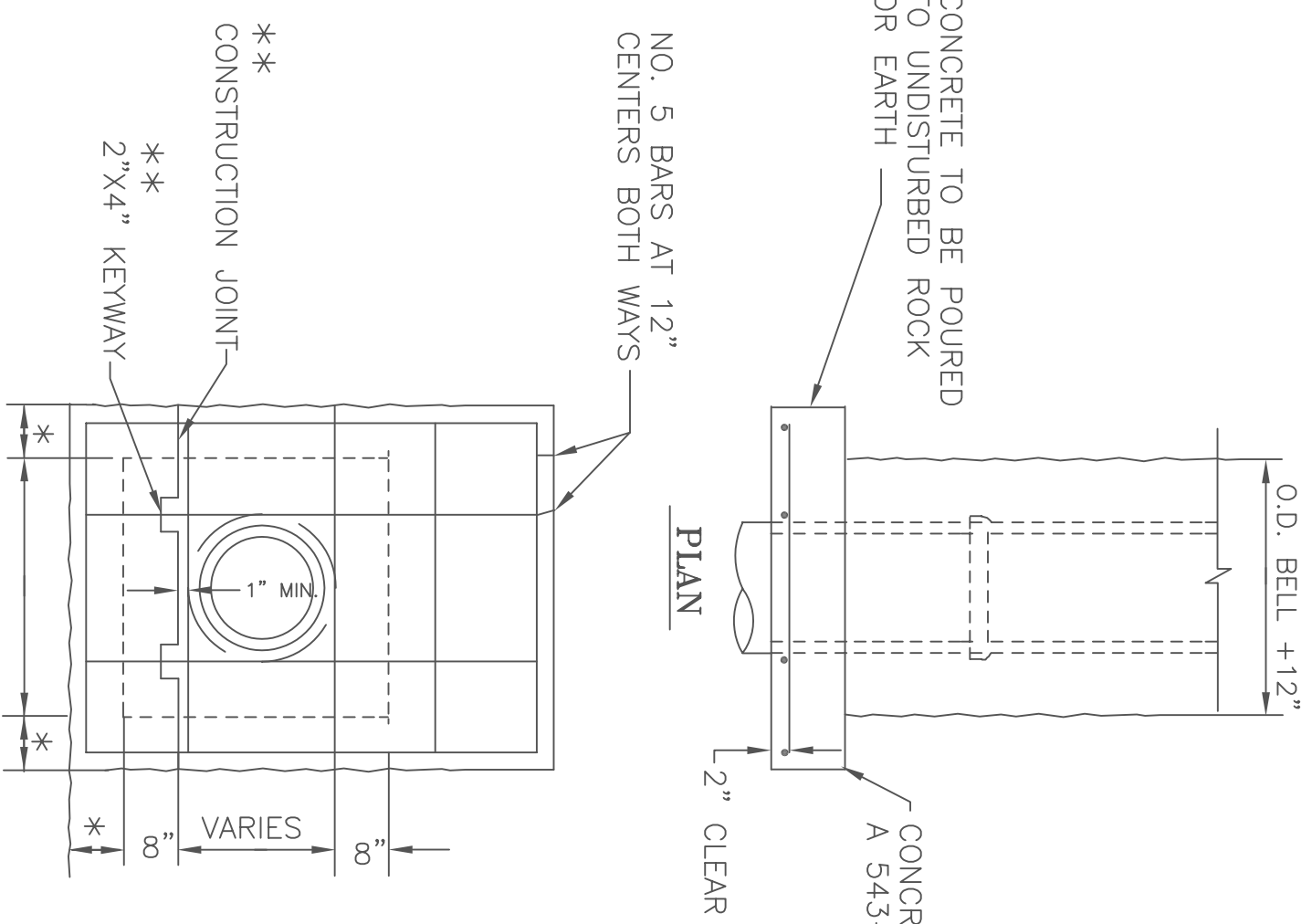


CONCRETE TO BE POURED
TO UNDISTURBED
ROCK
OR EARTH

CONCRETE MCIB MIX NO.
A 543-1-4

PLAN

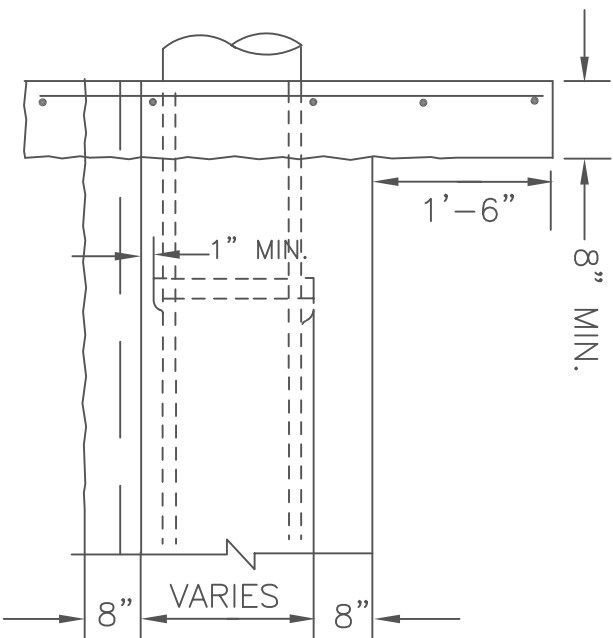


ELEVATION

* 6" FOR TRENCH IN ROCK
12" FOR TRENCH IN EARTH

8" MIN.

SIDE ELEVATION



** APPLIES IF POUR IS NOT
MADE MONOLITHICALLY

ADOPTED

Director of Public Works _____ Date _____

Entry No. _____

**Kansas City, Missouri
Public Works Department
Engineering Division**

PIPE COLLAR

STANDARD DRAWING NUMBER
P-C