

**TYPE A**  
STANDARD EARTH

**TYPE B**  
OFFSET

**TYPE C**  
SOLID ROCK

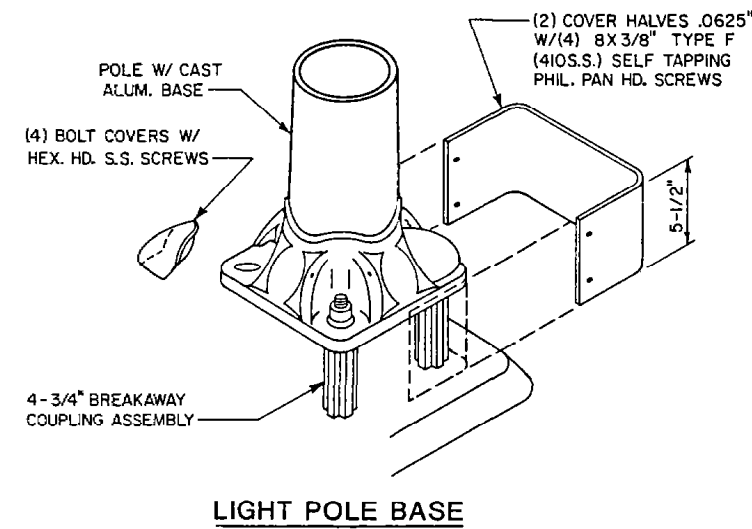
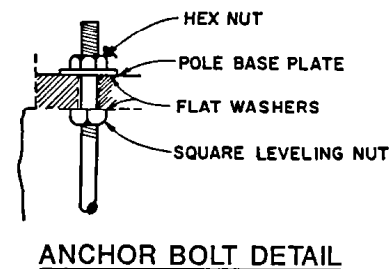
**STREET LIGHT FOUNDATIONS**

**DIMENSIONS**

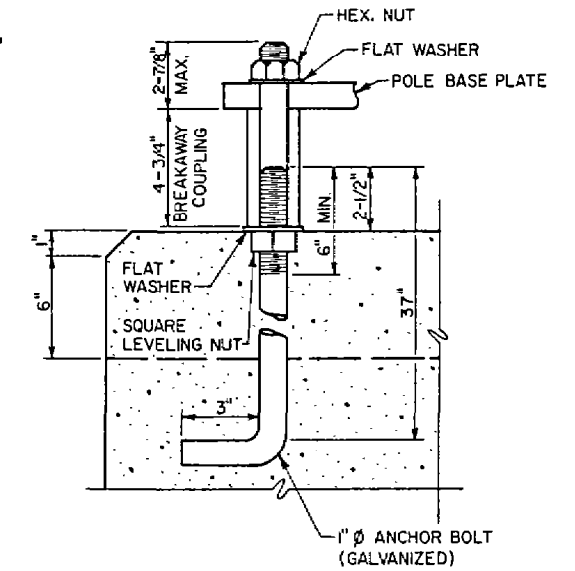
DIMENSIONS		DIMENSIONS BY MOUNTING HEIGHTS			
NO.	ITEM	25'	30'	35'	40'
①	BOLT SPACING	7-3/8"	7-3/4"	8-1/8"	8-1/2"
②	MIN. DIAMETER OF FOUNDATION	21"	22"	23"	24"
③	DEPTH OF FOUNDATION	5'-0"	6'-0"	7'-0"	8'-0"
④	DEPTH OF FOUNDATION TYPE C	3'-6"	3'-6"	4'-0"	4'-0"
⑤	BOLT CIRCLE DIAMETER	10-1/2"	11"	11-1/2"	12"

**SPECIFICALLY LABELED POINTS**

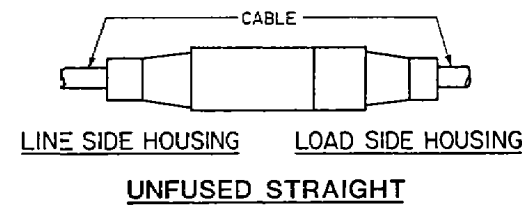
- (A) 1" DIAMETER ANCHOR BOLTS EXTENDED WITH #6 REBAR AS REQUIRED.
- (B) CUT ANCHOR BOLTS AS REQUIRED & DEFORM BOTTOM ENDS TO LOCK POSITIVELY.
- (C) WITH MODIFIED ANCHOR RODS IN PLACE, FILL DRILLED HOLES WITH EPOXY RESIN SIKADUR HI-MOD CARTER WATERS 202 TYPE II OR EQUIVALENT.
- (D) 6" DEEP SQUARE TOP (ROUND TOP ACCEPTABLE IN EARTH SURFACE). THIS 6" CAP TO BE POURED AFTER POLE IS ERECTED AND PLUMBED. EXPANSION JOINT TO BE USED WHERE PAVING ADJOINS FOUNDATION.
- (E) PLUG ALL CONDUIT OPENINGS WITH DUXSEAL OR EQUIVALENT BEFORE PLACING CONCRETE & AFTER CABLE INSTALLATION. SEE PLANS FOR NUMBER & DIRECTION OF BENDS.



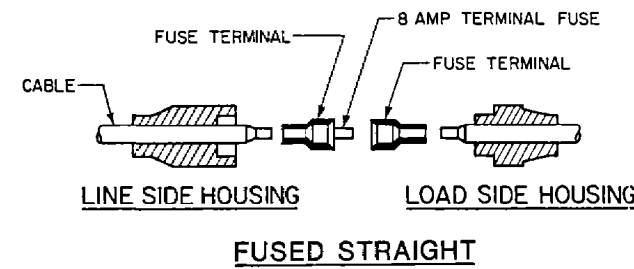
**LIGHT POLE BASE**



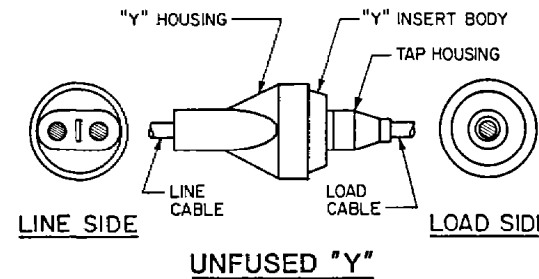
**ANCHOR BOLT**



**UNFUSED STRAIGHT**



**FUSED STRAIGHT**



**ELECTRICAL CONNECTOR KITS**

**BREAKAWAY DETAILS**

**NOTES:**

1. TOP 8" OF ANCHOR BOLT TO BE HOT-DIP GALVANIZED.
2. BOTTOM ENDS OF ANCHOR BOLTS MUST HAVE 3" MINIMUM CONCRETE COVER.
3. USE BOLT POSITIONING JIG OF SUFFICIENT WEIGHT & STRENGTH TO MAINTAIN ACCURATE ANCHOR BOLT LOCATION DURING CONCRETE PLACEMENT.
4. CITY-AUTHORIZED INSPECTOR MUST INSPECT EACH EXCAVATION, WITH ALL FORMS, ANCHOR BOLTS, REINFORCING STEEL, CONDUIT, & CONDUIT PLUGS IN PLACE IMMEDIATELY PRIOR TO PLACING CONCRETE.
5. CONCRETE FOR FOUNDATIONS OUTSIDE THE C.B.D. SHALL BE MCIB MIX NO. A558-1-2 OR MCIB MIX NO. A618-1-4. CONCRETE FOR FOUNDATIONS IN THE C.B.D. SHALL BE PER OFFICIAL DOCUMENT NO. 85199 DATED 8/20/69 & ANY REVISION OR REPLACEMENT THERETO.
6. CONCRETE TO BE VIBRATED DURING PLACEMENT.
7. FOUNDATIONS IN EARTH TO BE 1" ABOVE ANY ADJACENT EARTH & HAVE EDGES BEVELED.
8. TIE ANCHOR BOLTS NEAR THE BOTTOM. USE TWO #3 REBAR HOOPS SPACED 12" TWO #3 REBAR "U"'S SPACED 12", OR TWO TURNS OF #3 REBAR SPIRAL WITH 12" PITCH.



AMERICAN PUBLIC WORKS ASSOCIATION  
KANSAS CITY METRO CHAPTER

STREET LIGHTING  
MISC. DETAILS

STANDARD DRAWING  
NUMBER SL-3  
ADOPTED:  
DECEMBER 15, 1982