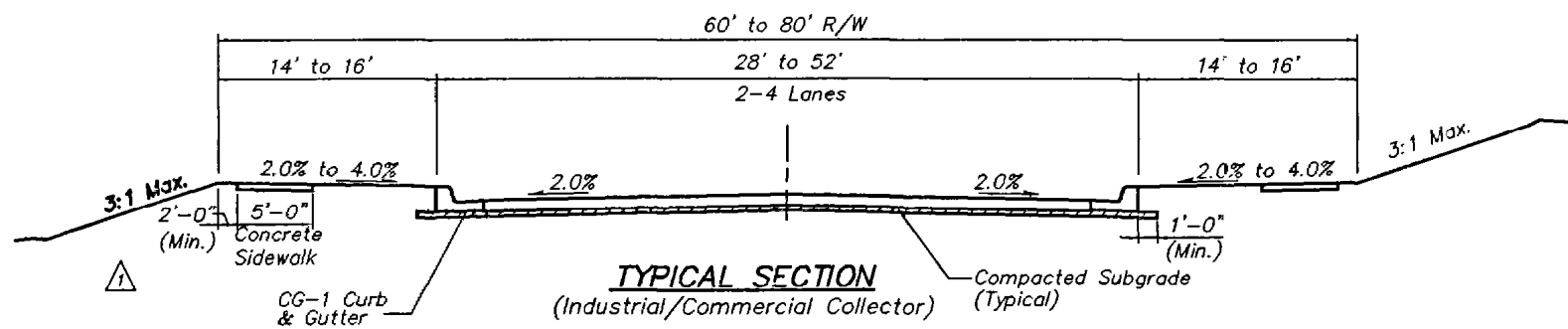
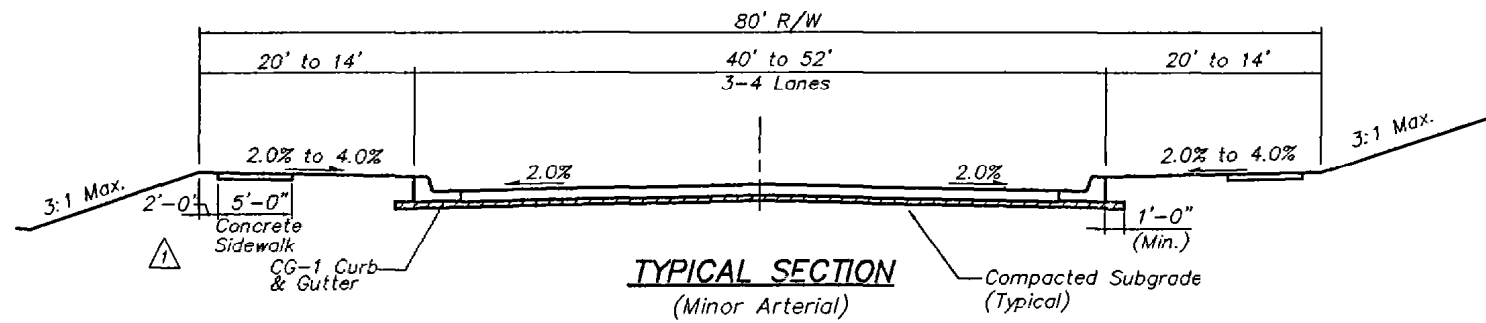



GENERAL NOTES:

1. See Table 1 in Section 5200(English) for Pavement Type.
2. The Median (including median curb) is optional for the Major Arterial; modify shoulder width accordingly.



7/1/83 KCMO STD. DRAWING SUPPLEMENT	
ADOPTED:	DIRECTOR OF PUBLIC WORKS
AMERICAN PUBLIC WORKS ASSOCIATION	
	KANSAS CITY METROPOLITAN CHAPTER
STREET SECTION DETAILS	STANDARD DRAWING NUMBER ST - 1
	ADOPTED: APRIL 17, 1993